



# INSTALLATION INSTRUCTIONS

## FACTORY BUILT CHIMNEY CONNECTOR

**A MAJOR CAUSE OF CHIMNEY CONNECTOR RELATED FIRES IS FAILURE TO MAINTAIN REQUIRED CLEARANCES (AIR SPACES) TO COMBUSTIBLE MATERIALS.**

**IT IS OF THE UTMOST IMPORTANCE THAT THIS DOUBLE WALL CHIMNEY CONNECTOR BE INSTALLED ONLY IN ACCORDANCE WITH THESE INSTRUCTIONS**

**CH<sup>US</sup> LISTED**

**Tested to  
\*UL103HT & ULC-S641**

**PLEASE READ ALL INSTRUCTIONS BEFORE BEGINNING YOUR INSTALLATION. FAILURE TO INSTALL THIS SYSTEM IN ACCORDANCE WITH THESE INSTRUCTIONS WILL VOID THE CONDITIONS OF CERTIFICATION AND THE MANUFACTURERS WARRANTY . KEEP THESE INSTRUCTIONS IN A SAFE PLACE FOR FUTURE USE.**

### **SELKIRK CANADA CORPORATION**

P.O. Box 526, Depot 1  
Hamilton, Ontario L8L 7X6  
905-662-6600  
Fax 905-263-9308  
1-800-263-9308  
Toll Free Fax 1-866-835-9624  
[www.selkirkcanada.com](http://www.selkirkcanada.com)

### **SELKIRK LLC**

14801 Quorum Drive  
Dallas, Texas, USA 75240  
972-560-2000  
Fax 972-560-2428  
1-800-992-VENT (8368)  
Toll Free Fax 1-877-393-4145  
[www.selkirkinc.com](http://www.selkirkinc.com)

## TYPES OF APPLIANCES

Your Chimney Connector is intended to connect a gas, liquid, or solid fuel appliance normally producing flue gases of 650°C/1200°F (Canada), 540°C/1000°F (US - to the Temperature requirements of UL103HT) or less to a factory built or masonry chimney.

This Chimney Connector must not be enclosed or pass through attics, closets, floors, walls or ceilings, and must not be used in place of an insulated chimney section.

The **Minimum Clearance** to combustibles (i.e.. walls, ceilings, etc.) is **6" (152mm)**.

**For mobile home installations follow the installation instructions for the mobile home appliance and use the chimney connector clearance required by the appliance.**

## PRE-INSTALLATION GUIDELINES

Plan the installation of your appliance and chimney connector in such a way that your chimney connector run is as short and straight as possible.

By having too long and/or multiple bend installations you can reduce system draft which can affect the operation, and/or performance of your appliance and/or chimney system.

Ensure that you obtain any necessary building permits, and that your installation will conform with all federal and municipal building code requirements. Before commencing installation:

**CONTACT LOCAL BUILDING OR FIRE OFFICIALS  
ABOUT RESTRICTIONS AND INSTALLATION  
INSPECTION IN YOUR AREA.**

Use this chimney connector only with an appliance listed by a recognized testing authority such as Intertek Testing Services (Warnock Hersey), CSA, Underwriters Laboratories Inc., or Underwriters Laboratories of Canada.

**The maximum recommended length of Double Wall Stove Pipe should not exceed 20ft. Reduce this maximum limit by 10% for every 90° bend or 5% for every 45° bend.**

Provide sufficient slope in the horizontal run of the chimney connector (20mm per meter, 1/4" per foot) to enable any condensed liquid or creosote to run back toward the appliance.

Ensure that the horizontal chimney connector is securely supported from the structure by means of metal or other non-combustible supports at intervals not exceeding 1m (3ft).

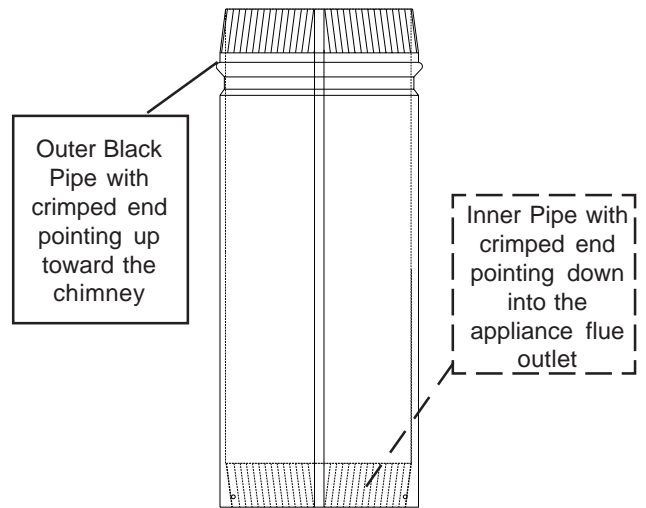
All joints between sections of the chimney connector must be secured with three sheet metal (supplied) screws per joints.

The black surface of the chimney connector may be touched up with a high temperature flat black stove paint.

If you are upgrading from a single wall stove pipe to the Double Wall Stove Pipe Chimney Connector, have your chimney inspected by a certified wood technician or a certified chimney sweep.

### ATTENTION!

The orientation of all chimney connector components must be with the crimped end (outer black pipe) pointing up, towards the chimney (see diagram below).



## PARTS CHECK LIST

To complete a proper Double Wall Stove Pipe installation, the following parts may be required:

- |                           |           |
|---------------------------|-----------|
| • Telescopic Length       | DSP*TL    |
| • Adjustable Length       | DSP*AL-1  |
| • Universal Chimney Adapt | DSP*CA    |
| • 6" Pipe Length          | DSP*P6-1  |
| • 12" Pipe Length         | DSP*P12-1 |
| • 24" Pipe Length         | DSP*P24-1 |
| • 36" Pipe Length         | DSP*P36-1 |
| • 45° Elbow               | DSP*E4-1  |
| • 90° Elbow               | DSP*E9-1  |
| • Tee Section             | DSP*TE-1  |
| • Masonry Adapter         | DSP*MA    |
| • Damper Kit              | DSP*DK-1  |
| • Finishing Band          | DSP*FB    |
| • Stove Adapter           | DSP*SA-1  |
| • Oval to Round Adaptor   | DSP8OTR   |
| • Flush Stove Adaptor     | DSP*FSA-1 |

\* Denotes size of product 6"(152mm), 7"(178mm), 8"(203mm)

## INSTALLATION PROCEDURES

Install the appliance and chimney system according to the installation instructions provided with them, ensuring that the required clearances are maintained

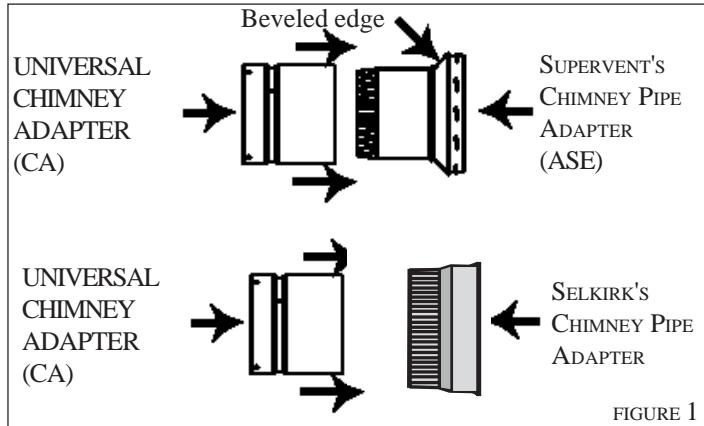
## SECURING OF THE DOUBLE WALL STOVE PIPE (DSP)

The following is to assist you in connecting the Double Wall Stove Pipe (DSP) to the Chimney system. There are two (2) connecting methods. A Finishing Band (packaged with all Telescopic and Adjustable Lengths) or it may be purchased separately (DSP-FB). The second method is with the Universal Chimney Adaptor.

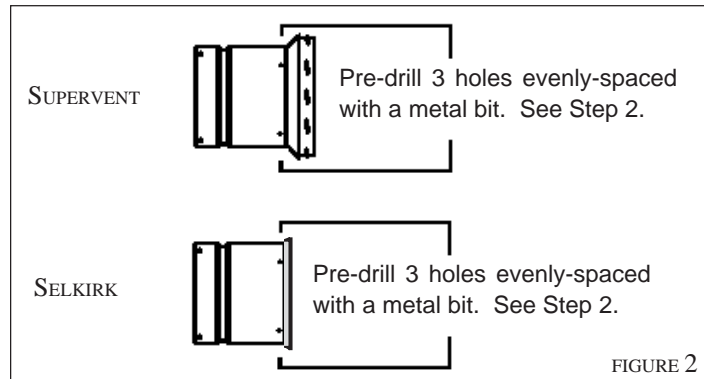
Both methods can also be utilised on other chimney systems. In all installations, all single wall parts of the chimney pipe adaptor must be fully covered by the Finishing Band or the Universal Chimney Adaptor. In order to accomplish this some trimming may be required.

# INSTALLATION OF THE UNIVERSAL CHIMNEY ADAPTER

**STEP 1 :** Slide the Universal Chimney Adapter (CA) over the male end of either the Stove Pipe Adapter (ASE) or the Smoke Pipe Adaptor all the way until snug to bead and beveled edge. See Figure 1.



**STEP 2 :** Pre-drill 3 evenly-spaced holes into the Universal Chimney Adapter (CA) with a 3/32 metal drill bit. See Figure 2. These holes must also pierce the Stove Pipe Adapter (ASE) and the Smoke Pipe Adaptor.



**STEP 3 :** Secure in place with 3 metal screws #6 X 1". NOTE: Tighten screws until head meets metal casing. Do not over tighten the screws such that the outer casing becomes deformed.

## INSTALLATION OF FINISHING BAND (FB)

Step 1. Position the Telescopic Length to the appropriate location over the Chimney Pipe Adaptor. Ensure that its final position will be covered by the Finishing Band which is only 3" wide. The Finishing Band must overlap the crimped end of the DSP and the bead to the beveled edge of the Chimney Pipe Adaptor or to the Basecap (see Figure 1A).

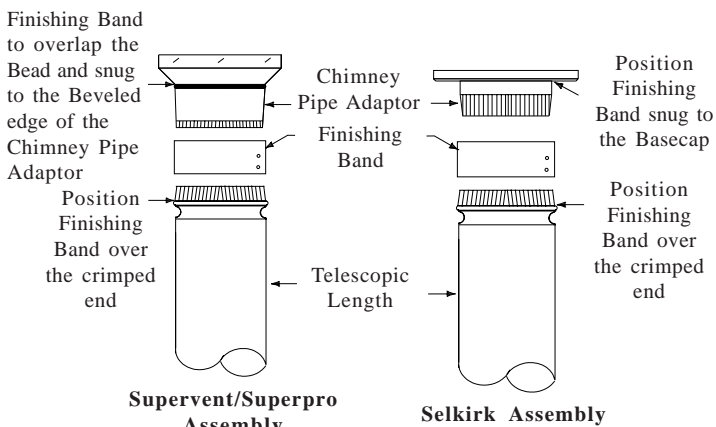


Figure 1A

Step 2. Pre-drill 3 evenly spaced holes into the crimped end of the DSP through the Chimney Pipe Adaptor with a 3/32 metal drill bit. Secure in place with 3 #8 X 1/2" stainless steel sheet metal screws (not supplied).

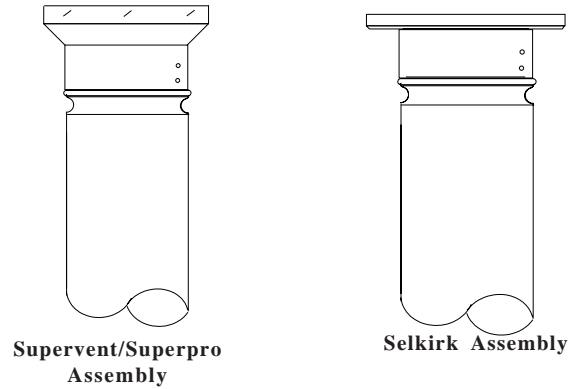


Figure 1B  
Finishing Band Installed

Step 3. Wrap the Finishing Band over the crimped end of the DSP and the Chimney Pipe Adaptor. Ensure it is over the bead and snug to the beveled edge or to the Basecap. Mark this position using the 2 pre-punched holes in the Finishing Band as a template. Pre-drill with a 3/32 metal drill bit and secure the Finishing Band with the 2 supplied black sheet metal screws. Figure 1B shows when it is all assembled.

Step 4. On a Through-The-Wall Installation with a 90 degree elbow, it may be necessary to cut the Chimney Pipe Adaptor and /or the Finishing Band to the required width to be covered. Ensure that the Finishing Band overlaps the crimped end of the DSP and overlaps the bead snug to the beveled edge or to the Basecap as per Figure 2A & 2B.

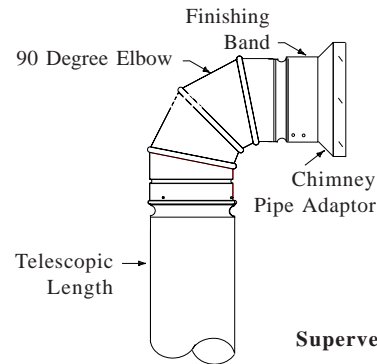


Figure 2A  
Supervent/Superpro Assembly

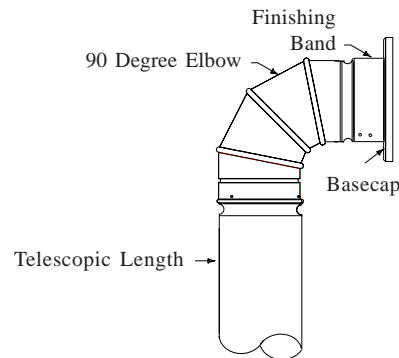


Figure 2B  
Selkirk's Assembly

## INSTALLATION TYPE #1 (See Figure A)

This installation is used when the chimney system is located immediately above the appliance.

1. Place the Telescopic Length on top of the appliance with the male (crimped) end up, and the female end over the appliance outlet collar. Attach it with the 3 metal screws supplied. If the collar of your appliance is too large for the Telescopic Length to fit over you will have to use a stove adapter on top of the stove before installing the Telescopic Length.
2. If using an Universal Chimney Adaptor place it on top of the Telescopic Length and secure it in place with the 3 metal screws supplied. If using the Finishing Band see "Installation of Finishing Band".
3. Extend the Telescopic Length until the Chimney Adapter slides over the stove pipe adapter and secure the upper and lower sections of the Telescopic Length in place with the 3 metal screws supplied. If the installation requires more length than provided by the telescopic length then install the fixed length(s) on the appliance and the telescopic length next to the chimney. All connections are to be fastened together with the 3 metal screws provided with each length.

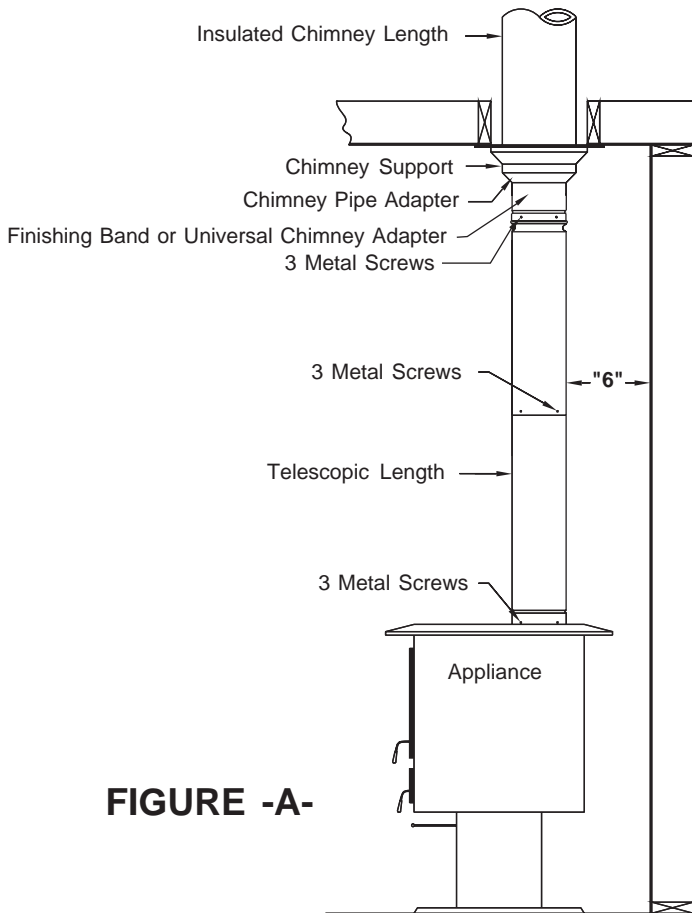


FIGURE -A-

## INSTALLATION TYPE #2 (See Figure B)

This installation utilizing a Tee Section, is used when the chimney system is offset from the appliance, either to maintain proper clearances for the appliance or for incorporating a cleanout in the chimney system.

1. Place the Telescopic Length on top of the appliance with the male (crimped) end up, and the female end over the appliance outlet collar and attach it with the 3 metal screws supplied. If the collar of your appliance is too large for the Telescopic Length to fit over you will have to use a stove adapter on top of the stove before installing the Telescopic Length.
2. Install the 90° Elbow to the Tee Section branch and the Univer-

sal Chimney Adaptor to the top of the Tee. Secure the sections together with the 3 metal screws supplied ensuring that the elbow is properly aligned for connection to the Telescopic Length. See "Installation of Finishing Band" if used.

3. Install the Elbow/Tee/Chimney Adapter assembly to the top of the Telescopic Section and secure the sections together with the 3 metal screws supplied.
4. Extend the Telescopic Length until the Chimney Adapter slides over the chimney connector and secure the upper and lower sections of the Telescopic Length in place with the 3 metal screws supplied. If the installation requires more length than provided by the telescopic length then install the fixed length(s) on the appliance and the telescopic length next to the 90° Elbow. All connections are to be fastened together with the 3 metal screws provided with each length.

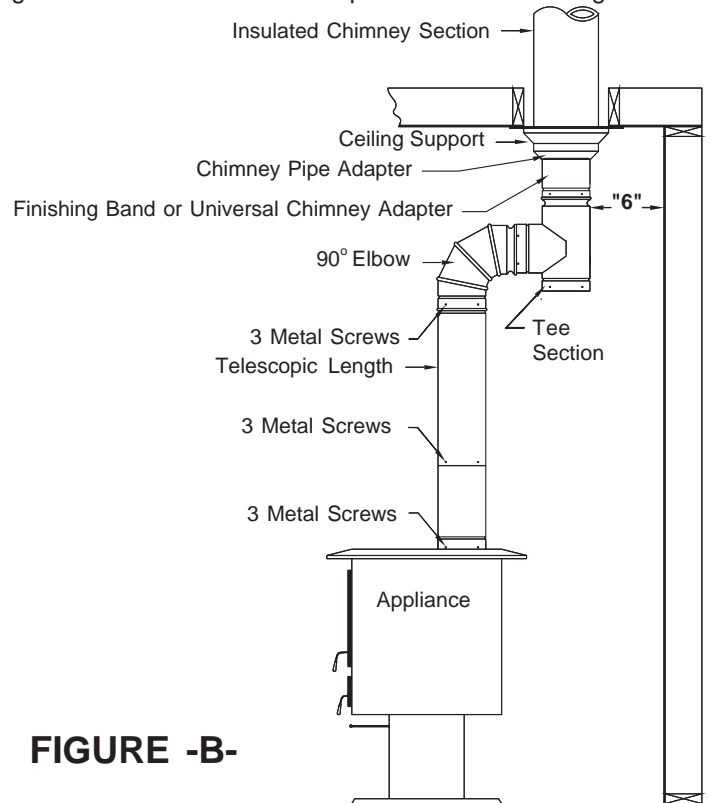


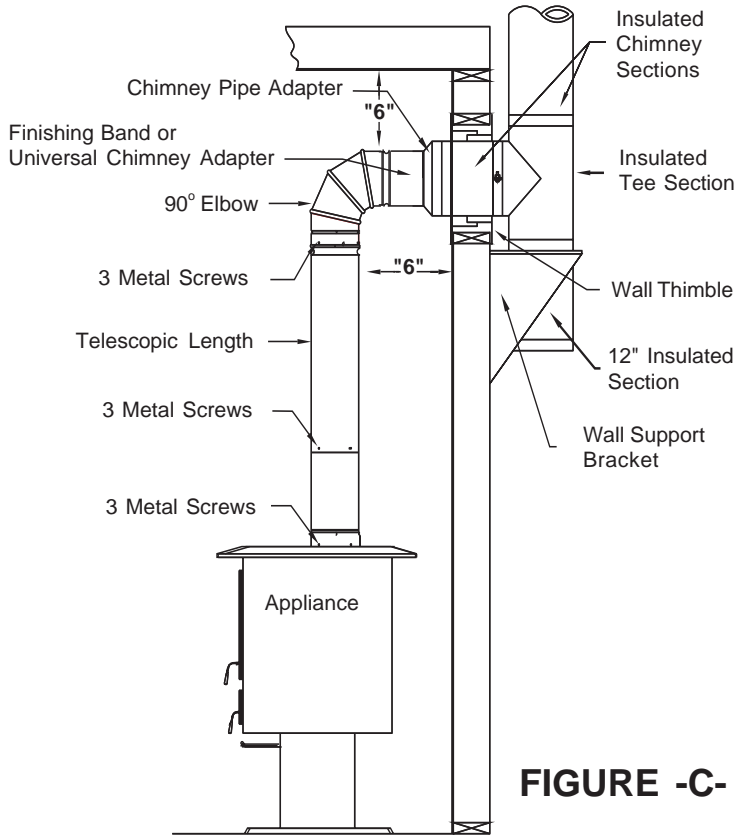
FIGURE -B-

## INSTALLATION TYPE #3 (See Figure C)

This installation is used when a factory built chimney system is located through the wall behind the appliance.

1. Place the Telescopic Length on top of the appliance with the male (crimped) end up, and the female end over the appliance outlet collar. Attach it with the 3 metal screws supplied. If the collar of your appliance is too large for the Telescopic Length to fit over you will have to use a stove adapter on top of the stove before installing the Telescopic Length.
2. Install a 90° Elbow to the Chimney Adapter and then to the chimney connector coming through the wall, ensuring that the elbow is properly aligned for connection to the Telescopic Length. If the clearances of the appliance requires a greater horizontal distance than that provided by the 90° Elbow, install the required connector length to the elbow first, and then install your Chimney Adapter and secure the pieces together with the 3 metal screws provided. If using the Finishing Band see "Installation of Finishing Band".

3. Extend the Telescopic Length until it connects with the 90° Elbow and secure the upper and lower sections of the Telescopic Length in place with the 3 metal screws supplied. Fasten the Telescopic Length and the 90° Elbow together with the 3 metal screws provided. If the installation requires more length than provided by the telescopic length then install the fixed length(s) on the appliance and the telescopic length next to the 90° Elbow. All connections are to be fastened together with the 3 metal screws provided with each length.



**FIGURE -C-**

## INSTALLATION TYPE #4 (See Figure D)

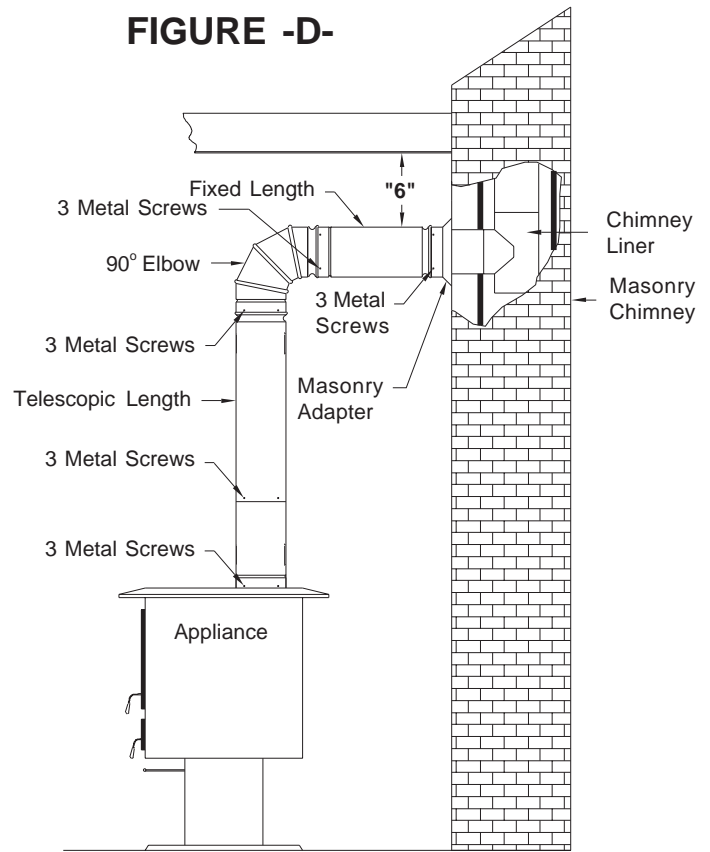
This installation is the same as Installation Type #3 with the exception that the Chimney connector is run to an existing Masonry Chimney instead of a Factory Built Chimney.

1. If your existing Masonry Chimney does not have a Chimney Liner installed, it is required one be installed in order to make a proper connection to the Double Wall Stove Pipe.

2. Once your Chimney liner is in place, make sure the opening in the Chimney or liner is the correct size to accept the Masonry Adapter. Slide the Masonry Adapter into the opening in the chimney and into the branch of the Liner Tee until the collar of the Adapter fits flush to the wall of the chimney. If Masonry Adapter is too long and the collar does not fit flush to the wall, or it projects too far into the Tee the Adapter should be trimmed for proper fit. The Adapter should fit snug and not loose and there should be no gaps where heat or products of combustion might escape. If the adapter is loose fitting or gaps are present when it is installed they should be filled with a suitable filler.

3. After installing the Masonry Adapter follow the instructions in Installation Type #3.

**FIGURE -D-**



## RULE FOR SAFE OPERATION AND MAINTENANCE

Do not use fuel materials corrosive to the chimney such as driftwood, chemically treated wood or garbage or over fire your solid fuel appliance. This can cause failure of the DSP Double Wall Stove Pipe and will void any warranties.

When wood is burned slowly, it produces tar and other organic vapors, which combine with expelled moisture to form creosote. The creosote vapors condense in the relatively cool chimney flue of a slow-burning fire. As a result, creosote residue accumulates on the flue lining. When ignited, this creosote makes an extremely hot fire.

With a new installation, the chimney should be inspected frequently (every 2 weeks if need be) to determine the rate of creosote formation. When familiar with the appliance and chimney characteristics, the chimney should be inspected at least once every 2 months during the heating season to determine if a creosote or soot build-up has occurred.

If you see deposits more than 2mm (1/16") thick, clean all connector pipe and chimney system mechanically (with a properly sized plastic cleaning brush) to reduce the risk of chimney fire.

Contact a local professional chimney sweep for chimney cleaning services and advice.

Do not expect chemical chimney cleaners to keep your chimney clean. Their use does not negate the necessity of periodically inspecting and cleaning your chimney.

**KEEP YOUR CHIMNEY AND  
CONNECTOR CLEAN!**

# LIMITED LIFETIME WARRANTY



## LIMITED LIFETIME WARRANTY:

Selkirk Canada Corporation, (“we”, “us”, “our”) warrants Chimney & Venting products \* to be free from defects in material and workmanship for as long as the original consumer owns the system. For products installed after January 1, 2000, for a period of Ten (10) years from original installation, we will provide replacement product with a similar or like quality of available product, **free of charge** excluding any installation costs. From the Eleventh (11) through Fifteenth (15) years we will provide replacement product to the original consumer at a cost of 75% off the published Retail Price in effect on the date the claim is received excluding any installation costs. At expiration of the Fifteen (15) year term, we will provide replacement product to the original consumer at a cost of 50% off the published Retail Price in effect on the date the claim is received excluding any installation costs.

## LIMITATIONS:

- - Products must be installed for their intended purpose.
- - Products must be connected to an appliance listed with an accredited testing laboratory.

**WARNING: FAILURE TO INSTALL PRODUCTS ACCORDING TO THE MANUFACTURER’S INSTRUCTIONS WILL VOID ALL APPLICABLE WARRANTIES AND MAY RESULT IN FIRE, CARBON MONOXIDE POISONING OR DEATH. SEE OUR PRODUCT INSTALLATION INSTRUCTIONS FOR COMPLETE INSTRUCTIONS.**

## WARRANTY COVERAGE:

All lengths, tees and elbows, and components are applicable to warranty coverage.

## THIS LIMITED WARRANTY DOES NOT COVER:

- (a) any non-stainless base tee unit mounted or connected to an Insulated Chimney system;
- (b) **costs (labor or otherwise \*\*) associated with either removing a previously installed product, installing a replacement product, transportation or return of a product, or transportation of replacement product;**
- (c) damage to the finish of products caused by the use of improper solvents/chemicals or improper cleaning methods;
- (d) damage resulting from failure to reasonably clean, care for or maintain products in accordance with our installation instructions/recommendations;
- (e) damage (to products, appliances or structure) based on or resulting from improper installation or repair, misuse or abuse (including, but not limited to, excessive or improper operating condition), or alteration or adjustment other than in conformity with our installation instructions and specifications, whether performed by a contractor, service company, technician, or yourself;
- (f) any products that have been moved from their original installation site.
- (g) damage caused by burning driftwood, garbage, or any other prohibitive material has been burned in the appliance served by the chimney
- (h) damage that results from accidents such as fire, flood, high winds, “acts of God”, or any other contingency beyond our control.

**\*\* Due to the wide variance in installation practices and other conditions beyond our control, we do not guarantee or in any way warrant the installation of Chimney and Venting products.**

## CLAIM PROCEDURE:

If you believe that a product is defective, notify us in writing at the following location:

**SELKIRK CANADA CORPORATION**  
P.O. Box 526, Depot 1, Hamilton, Ontario, CANADA, L8L 7X6  
ATTN: WARRANTY CLAIMS DEPARTMENT  
Fax: (905) 662-5352

Notification should include a description of the product, model and serial number (if applicable) and a description of the product defect. Upon receipt of a written claim under this limited warranty and evidence of the date of purchase or installation, at our option and in our sole discretion, we will provide replacement product with similar or like quality of available product excluding any installation costs. We reserve the right to inspect or investigate any warranty claims prior to determining whether to provide replacement product. If, as determined by us that repair or replacement of the product is not commercially practicable or cannot be completed in a timely manner, we may refund the prorated purchase price paid for the product upon verification by providing a copy of your invoice or receipt of bill of sale.

## INSTALLATION INFORMATION

*keep in safe place for future reference*

MODEL OF CHIMNEY: \_\_\_\_\_

TYPE OF APPLIANCE: \_\_\_\_\_

INSTALLATION DATE: \_\_\_\_\_

DESCRIPTION OF INSTALLATION (Chimney and Chimney Connector configuration) \_\_\_\_\_

### PURCHASED FROM:

DEALER NAME: \_\_\_\_\_

Address: \_\_\_\_\_

City: \_\_\_\_\_

Province/State: \_\_\_\_\_

### INSTALLED BY:

TECHNICIAN NAME: \_\_\_\_\_

Address: \_\_\_\_\_

City: \_\_\_\_\_

Province/State: \_\_\_\_\_



## PRODUCT REGISTRATION

Please register your Chimney with the Manufacturer.

**Register Online: [www.selkirkcanada.com](http://www.selkirkcanada.com)**

Name: \_\_\_\_\_

Address: \_\_\_\_\_

City: \_\_\_\_\_

Province/State: \_\_\_\_\_ Postal/Zip: \_\_\_\_\_

Model: \_\_\_\_\_ Installation Date: \_\_\_\_\_

Dealer Name: \_\_\_\_\_